



Annular ringlight 58 mm



Annular ringlight 66 mm

Annular Ringlights

Features

- Continuous ring of illumination fiber within the housing.
- Variety of adapters available for other objective series.
- Ringlights fit either 66 or 58 mm standard objectives.
- Mounts directly to objective by means of thumb screw.
- Housing made of rugged, black anodized aluminium.
- Fiber bundle protected with flexible metal PVC sheathing.
- Manufactured in the EU.

Benefit

Absolute shadow-free illumination and no interference with light guides in work area.

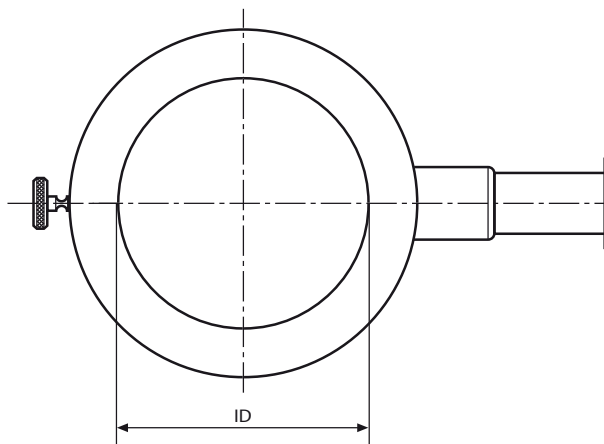
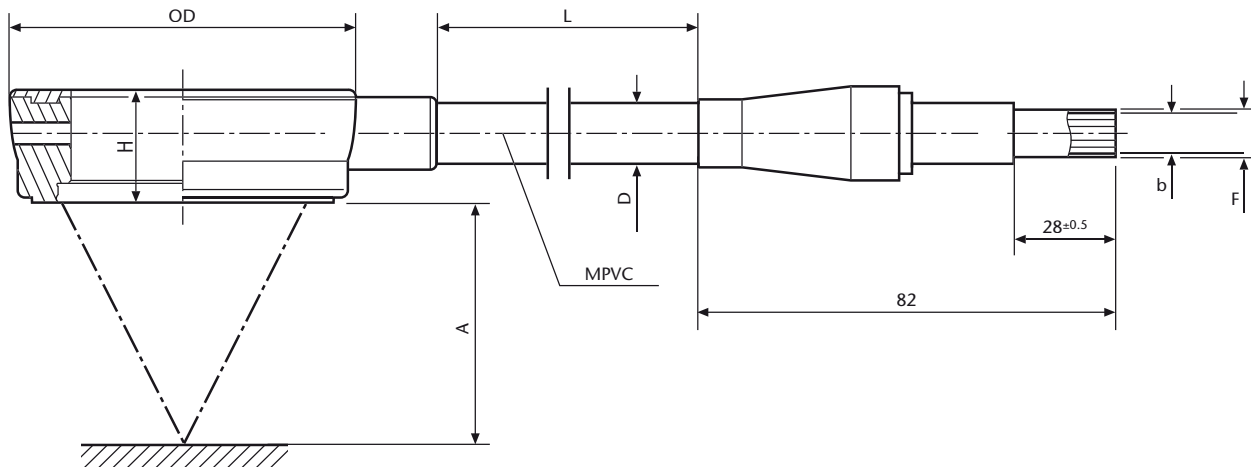
Annular Ringlights										
Cold light source	Part-No.	Type	Length	Inner Ø	Outer Ø	Height	Minimum working distance*	Active Ø/ branch	Outer Ø Jacketing	Light source adapter Ø
			L	ID	OD	H	A	b	D	F
KL 1500**	157 410	Slit-RL	1000 mm	58 mm	88 mm	26 mm	25 mm	9 mm	15 mm	10 mm
		58 mm Ø	39.37 inch	2.28 inch	3.47 inch	1.02 inch	0.98 inch	0.35 inch	0.59 inch	0.39 inch
KL 2500 LCD	157 420	Slit-RL	1000 mm	66 mm	96 mm	26 mm	25 mm	9 mm	15 mm	10 mm
		66 mm Ø	39.37 inch	2.60 inch	3.78 inch	1.02 inch	0.98 inch	0.35 inch	0.59 inch	0.39 inch
Polarizers for annular ringlights	Part No.									
Ø 58 mm	158 440	Polarization filter set for annular ringlight consists out of polarizer and analyzer								
Ø 66 mm	158 430	Polarization filter set for annular ringlight consists out of polarizer and analyzer								
Objective adaptors	Part No.									
Ø 58 mm to Ø 66 mm	157 450									
Ø 60 mm to Ø 66 mm	157 452									
M48x0.75 to Ø 66 mm	157 454									
M55x0.75 to Ø 66 mm	157 456									

* Ringlights usable in any working distance above given minimum values.

** LCD, compact, LED

Product improvements may result in specification or feature changes without notice.

Annular Ringlights



Lighting and Imaging
SCHOTT North America, Inc.
122 Charlton Street
Southbridge, MA 01550-1960
USA

Phone: +1 508/765-9744
Fax: +1 508/764-6273
lightingimaging@us.schott.com
www.us.schott.com/lightingimaging

For your local sales contact please visit
www.us.schott.com/lightingimaging

SCHOTT
glass made of ideas