



Annular darkfield ringlight 66/70 mm

Darkfield Ringlight

Features

- Ringlight with special configuration of fiber exit.
- Fibers are designed with low angle of incidence within the housing.
- Mounts directly to 66 & 70 mm objectives by means of three thumb screw or objective adapters.
- Housing made of rugged, black anodized aluminium.
- Fiber bundle protected with flexible metal PVC sheathing.
- Manufactured in the EU.

Benefits

- Illumination of polished or metal surfaces with real incident darkfield.
- Low angle illumination for darkfield effects for shiny, reflective surfaces.



Extension adaptors for darkfield ringlight

Darkfield Ringlight										
Cold light source	Part-No.	Type	Length	Inner Ø	Outer Ø	Height	Minimum working distance*	Active Ø/ branch	Outer Ø Jacketing	Light source adapter Ø
			L	ID	OD	H	A	b	D	F
KL 1500**	157 406	Slit	1000 mm	120 mm	66/70 mm	36 mm	5 mm - 15 mm	8.5 mm	14 mm	10 mm
KL 2500 LCD		DF-RL	39.37 inch	4.72 inch	2.60 inch	1.42 inch	0.20 - 0.59 inch	0.34 inch	0.55 inch	0.39 inch

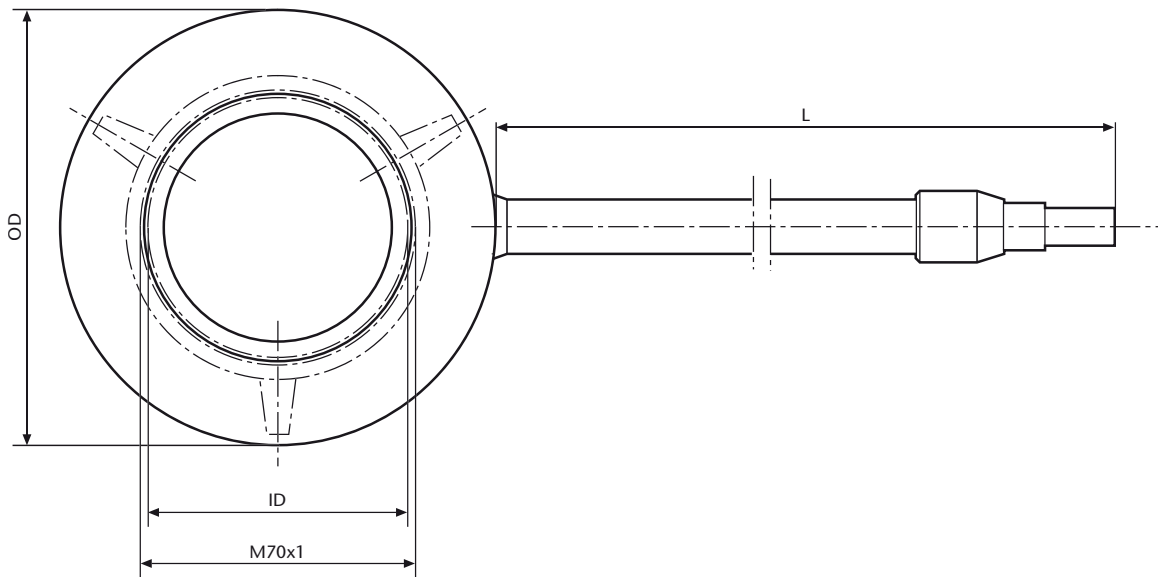
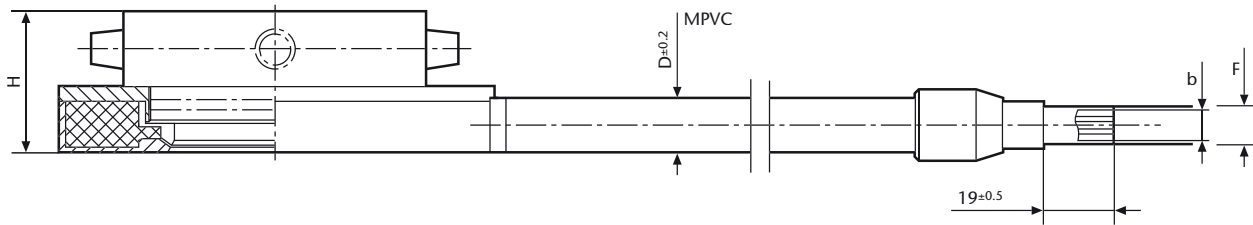
Adaptor for darkfield ringlight onto microscope objectives*		
Adapting diameter 66 mm	Length	Part. No.
Extension adaptor for objective working distance 30–50 mm	30 mm	157 569
Extension adaptor for objective working distance 50–80 mm	50 mm	157 567
Extension adaptor for objective working distance 80–110 mm	75 mm	157 562

* Further customized adaptors available

** LCD, compact, LED

Product improvements may result in specification or feature changes without notice.

Darkfield Ringlight



Lighting and Imaging
SCHOTT North America, Inc.
122 Charlton Street
Southbridge, MA 01550-1960
USA

Phone: +1 508/765-9744
Fax: +1 508/764-6273
lightingimaging@us.schott.com
www.us.schott.com/lightingimaging

SCHOTT
glass made of ideas

For your local sales contact please visit
www.us.schott.com/lightingimaging